

SHOWER SYSTEM Installation Guide

Important Installation Considerations

1. NOTE: Some showers may not provide an effective shower when used with gravity fed heated water systems or where pressures are less than 150kPa at the outlet. Additionally showers with flow rates of less than 9L/min may not allow the following to function correctly:
 - _ some instantaneous water heaters
 - _ some tempering valves
 - _ some thermostatic mixing valves
2. Some shower heads only operate correctly when hot and cold water supplies are both mains pressure and may not be suitable for some instantaneous hot water services.
3. When water pressure is in excess of 500kPa a pressure limiting device is required

warrants this product against manufacturing defects and that it is suitable for use under the general operating conditions specified in this instruction sheet. However, regional regulations apply and may affect your warranty.

Technical Specifications:

Operating Pressure:

Min: 150kPa/1.5bar

Max: 500kPa/5.0bar*

Optimum: 150kPa/1.5bar - 500kPa/5bar

Recommended installation of pressure limiting valve if supply exceeds 500kPa

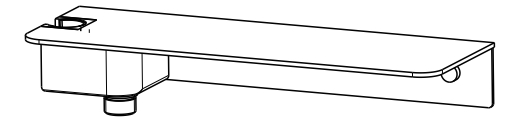
Operating Temperature:

Hot: Max 80°C*

Cold: Min 5°C

Inlet Connections:

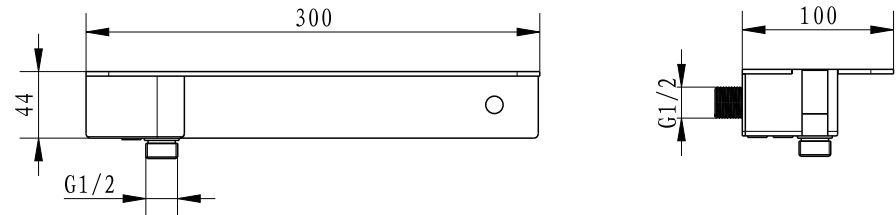
All ½" BSP

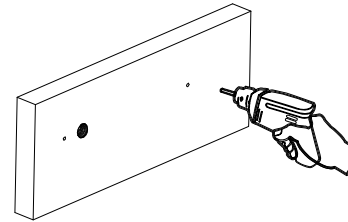
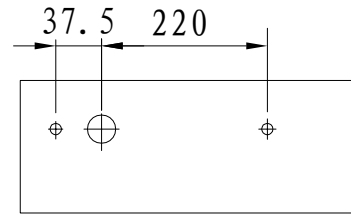
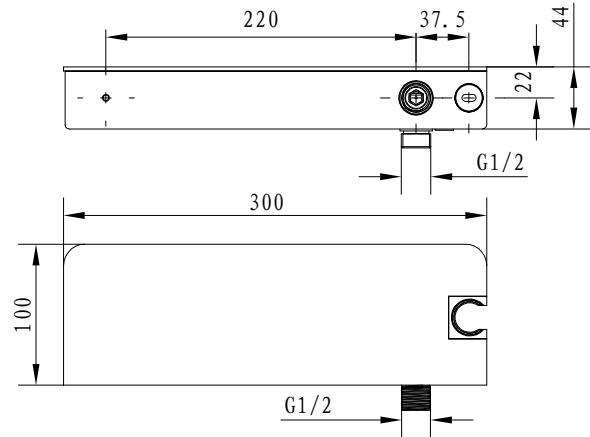


NOTE:

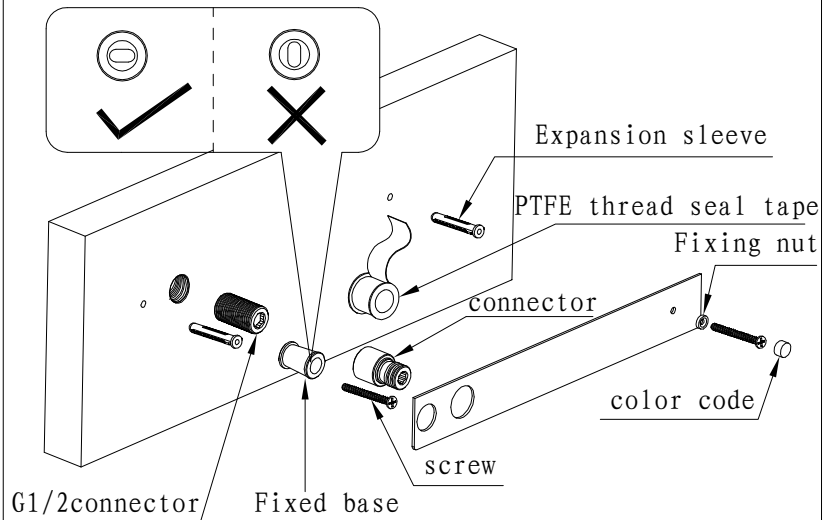
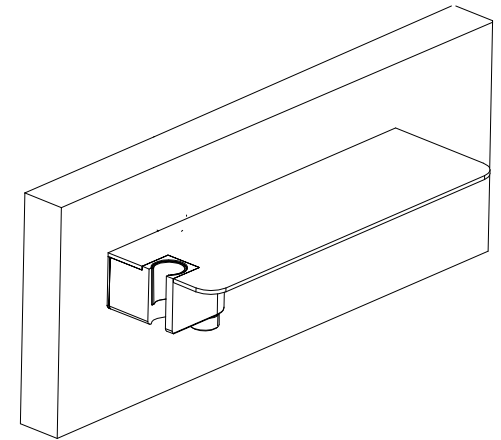
- After installation all connections must be checked for leaks
- All installations must be carried out in compliance with relevant water regulations*.

Technical Drawing

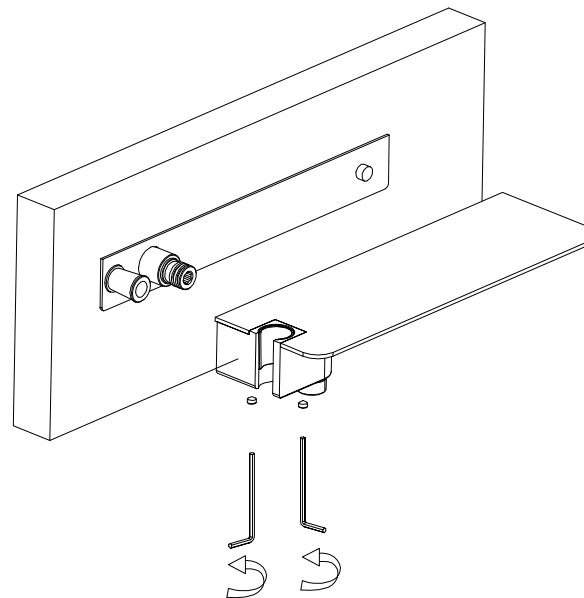




1, Drill two holes in $\phi 5\text{mm}$ according to the image shown.



2, Install the expansion sleeve. Wrap PTFE thread seal tape around connector and screw into the outlet hole. Install the fixed base like the image shown. Install the plate, and then install the fixing nut and color code.



3, Tight the main body by Allen key.

4, Install the shower hose and hand shower.