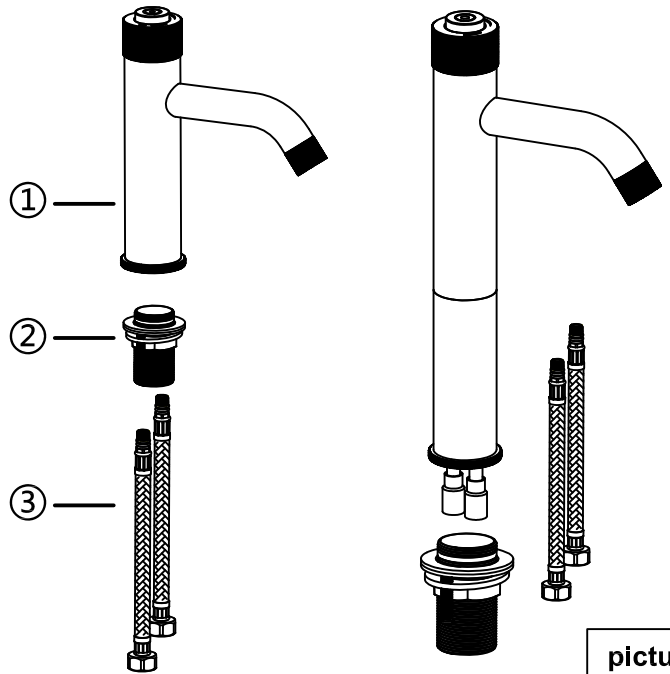


**Prior to installation:**

1. Working pressure available between 0.5 bar - 5bar, temperature range: 5-85 °C
2. The water supply must be thoroughly flushed in order to remove any swarf, solder etc.

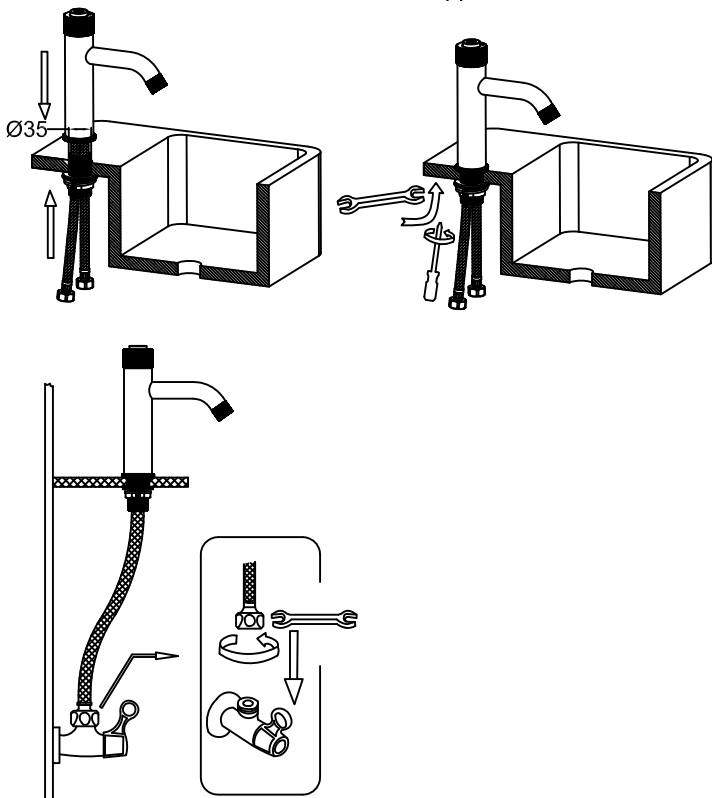
A figure list	1	Tap body
	2	Fixing system
	3	Flexible hose



**picture 1**

**Installation:**

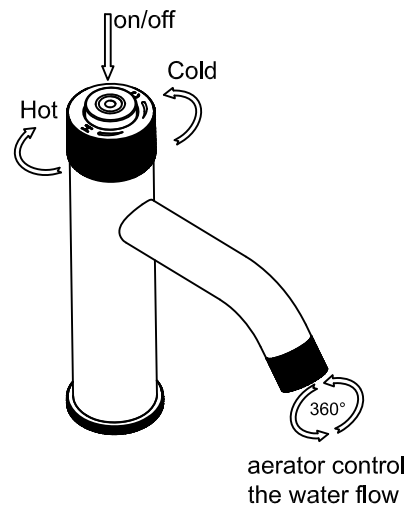
1. Check the ceramic installation hole for the tap dimension is 35mm or not. If not, need to drill it to suit the tap
2. Screw in the flexible tails by hand, do not over tighten
3. Fit the tap to the basin
4. Connect the hot and cold water supplies



**picture 2**

**Operation:**

1. Open the water supplies after all installed
2. Check if any leakage
3. Press the button in top handle, turn on the left and right to check the water flow and temperature



aerator control the water flow

**Maintenance:**

1. Clean the tap regularly to keep the surface clean
2. Use clean water or qualified cleaning agent to clean the tap, then use the soft cotton to wipe it

**picture 3**