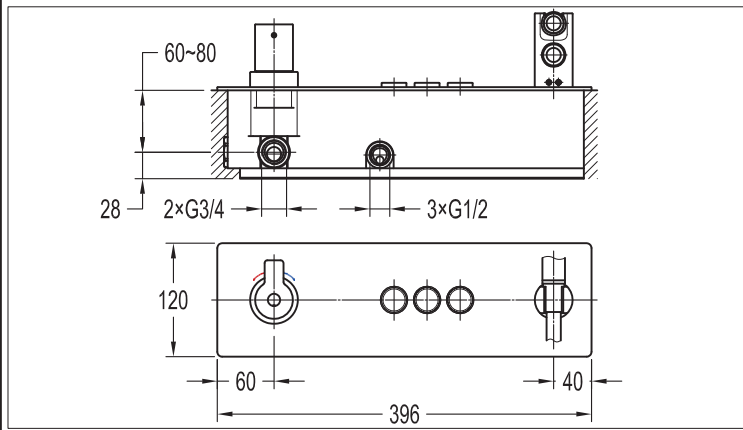


# INSTRUCTION MANUAL

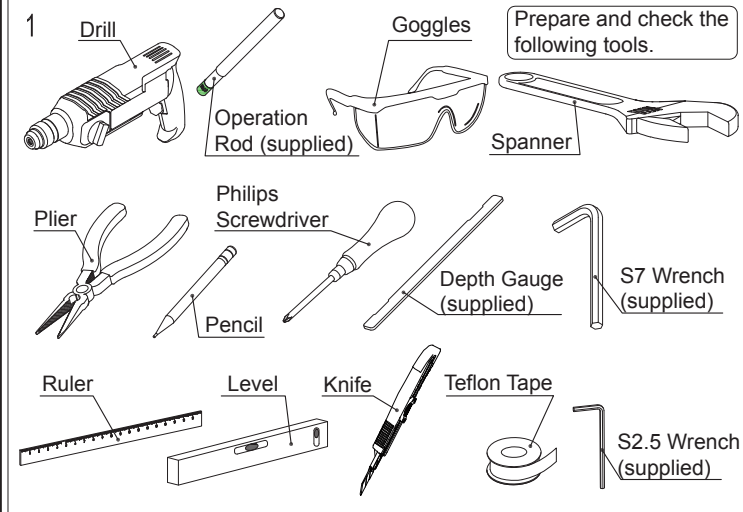
BS83101952

## III. Installation Diagram



## IV. Installation Steps (Fig.1-23) :\*

\* The installation diagram is only for reference. The product is subject to the real object.

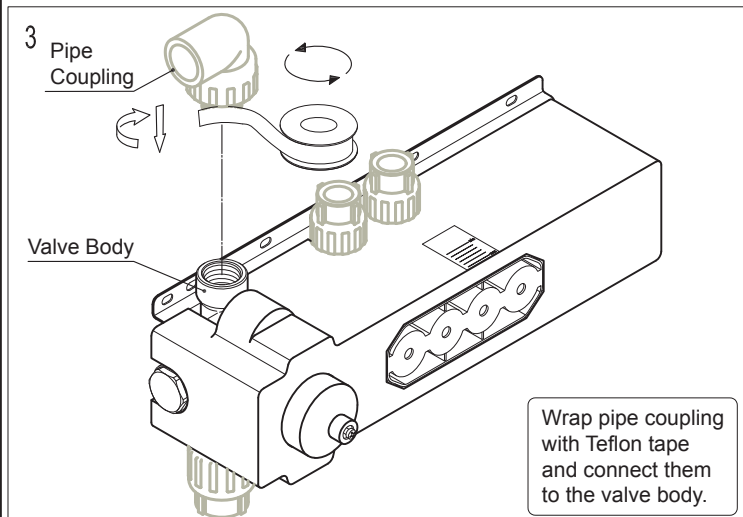
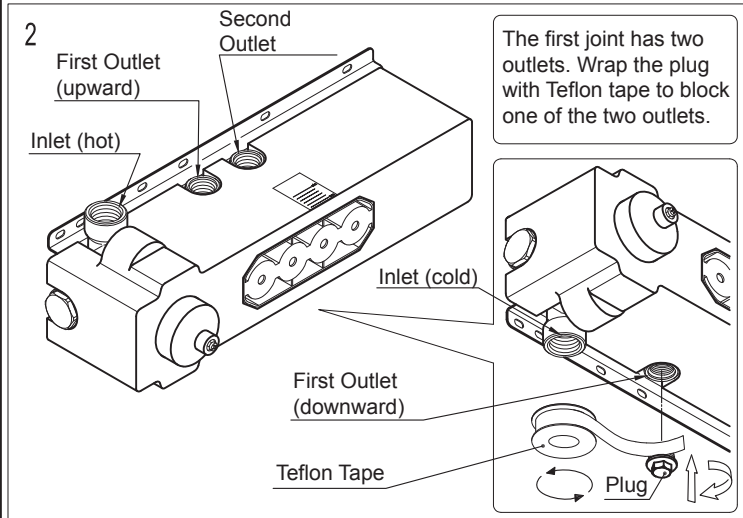


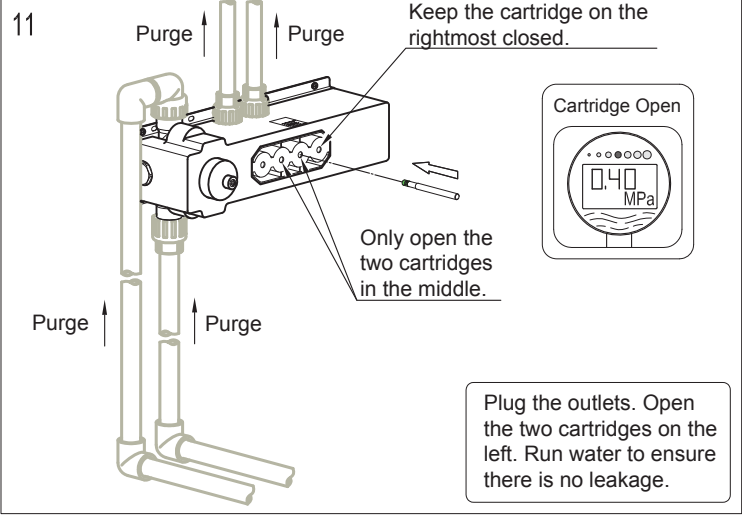
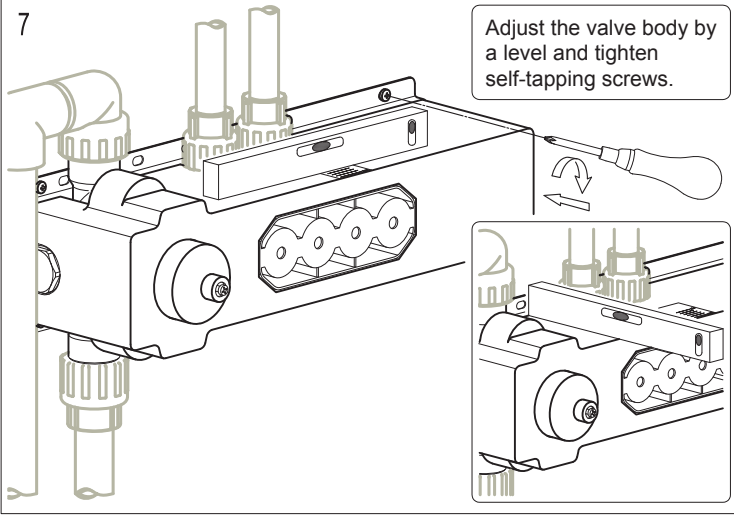
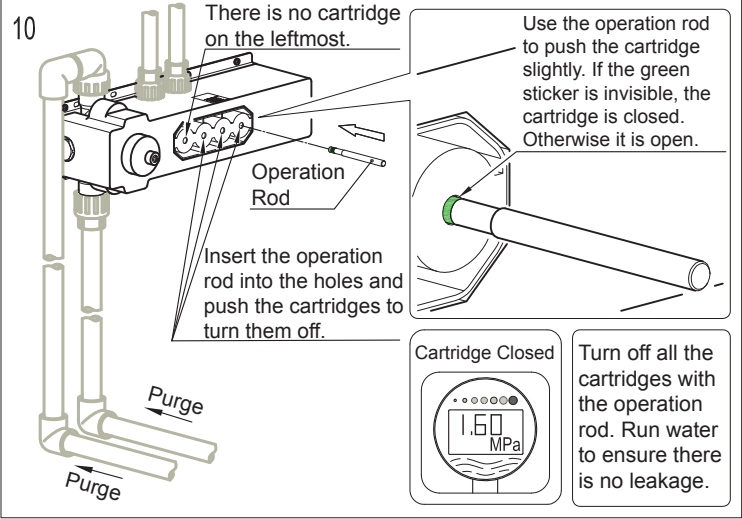
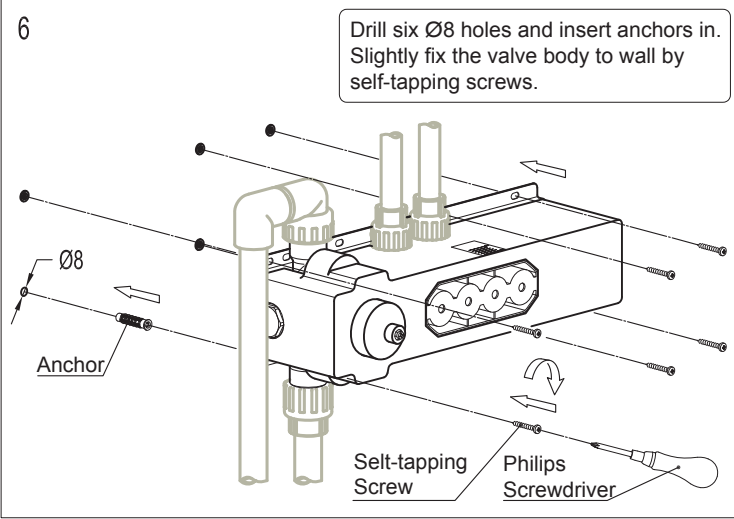
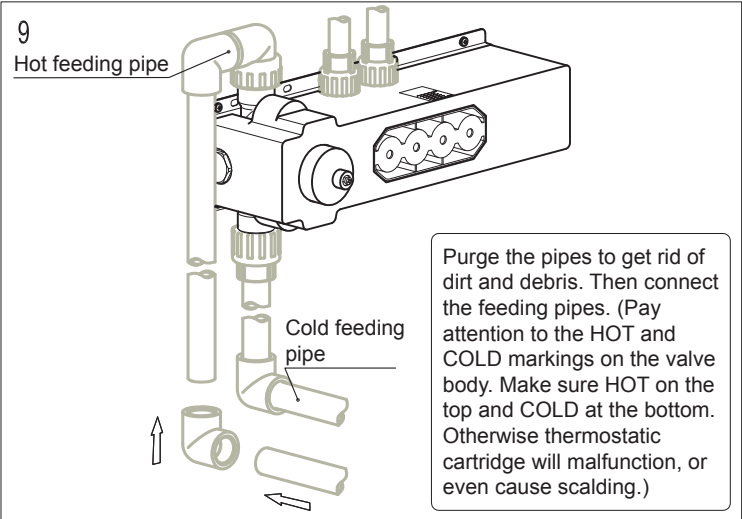
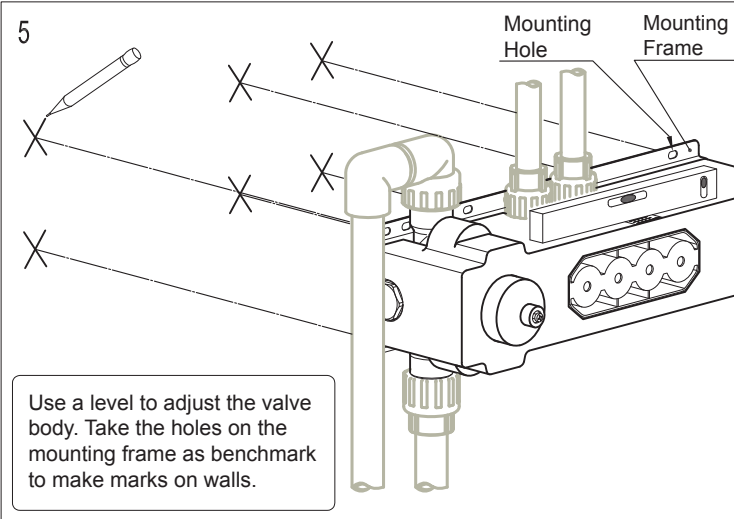
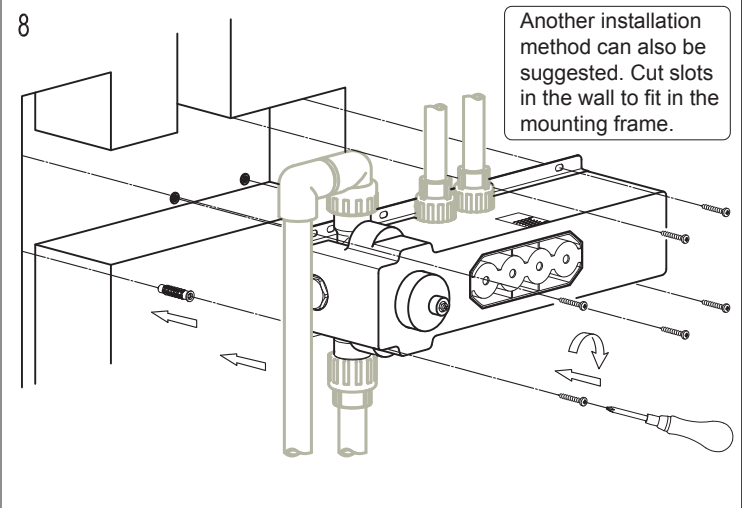
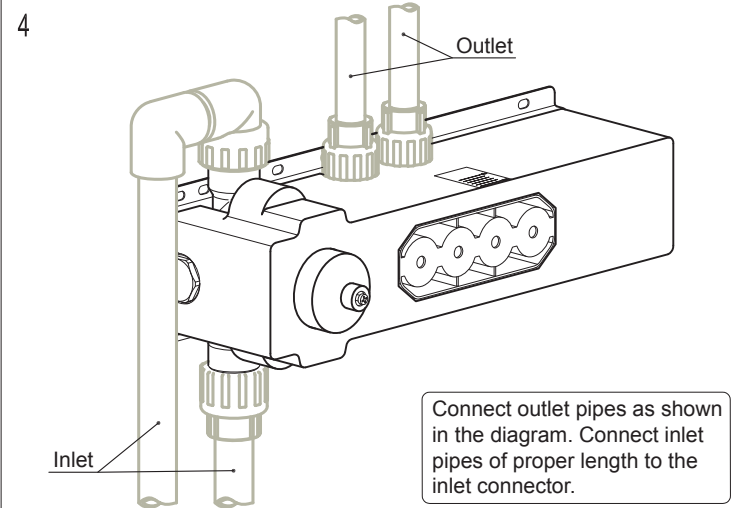
## I. Installation Notice

1. Please lay water pipes in accordance with this manual. Floor drain should be installed on the site.
2. Mixers should be installed only after the completion of house interior decoration in case paint or other chemicals erode the mixer surface.
3. Clean pipes to get rid of mud, sand or other debris blocked in pipes before installation.
4. Check whether the threads can be matched. Otherwise, install forcefull will damage the components.
5. After installation, check all the joints to make sure they are firmly connected. Then keep water flow. Turn on and off repeatedly to ensure no leaking problem. After that, the product is ready for normal use. Then keep the manual to users.

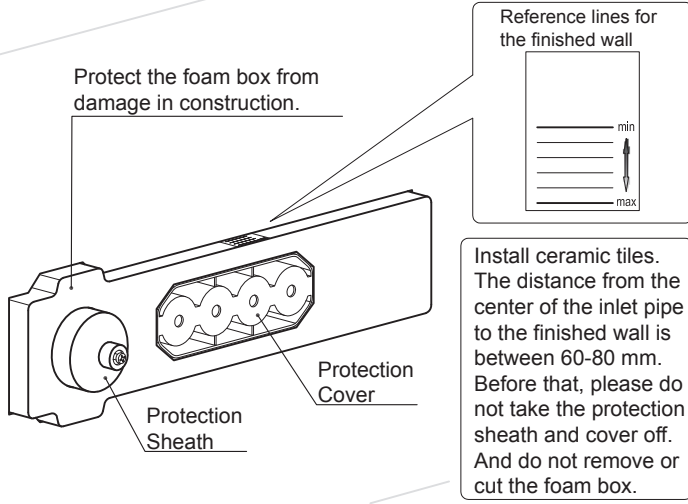
## II. Operation Notice

1. The product is used under cold water temperature 4~29°C, hot water temperature 55~85°C and water pressure 0.05~1.0 MPa. To avoid large pressure difference between hot and cold water, the thermostatic cartridge is preferably in use under the condition of water pressure 0.3 MPa, cold water 15°C, hot water 65°C. Main valve should be equipped with a filter.
2. Do not hang heavy things on the mixer. Do not use the mixer as handrail.
3. Remember to turn off the mixer when no water comes out of it (especially when nobody in the house or during the decoration period or power off).
4. Clean the surface of mixer regularly to keep it bright. Note: Please do not use inappropriate tools such as sharp brushes, rough sponges, scouring pads or corrosive detergent. And it is not recommended to use the detergent sold in the market, because its formula changes frequently. Please clean the mixer with wet cloth and soapy water after some time of usage. Then rinse the soap off with clean water and dry with a soft cotton cloth.
5. Residue left by shampoo, shower gel, hair dye, perfume, shaving water, nail polish, toothpaste could cause damage to the product. Clean it with water to wash off residue after usage. Detergent and chemicals should be placed under the product as the volatile gas could damage the product.
6. When indoor temperature drops below 0°C, take necessary measures (keep mixer warm, close windows) to prevent the mixer from frost cracking (especially when windows are kept open for ventilation while nobody in the house).
7. Run cold water first and then run hot water, adjust the temperature before use. Do not touch the hot water area of the mixer to avoid injury.
8. Children and mentally disordered adults are not allowed to use the product without supervision. People affected by alcohol and drugs should also be forbidden from using.
9. Do not disassemble the product without help from the professionals.

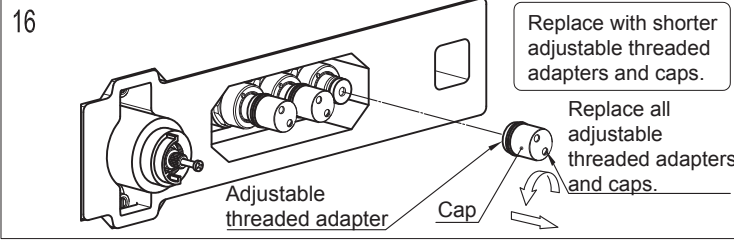




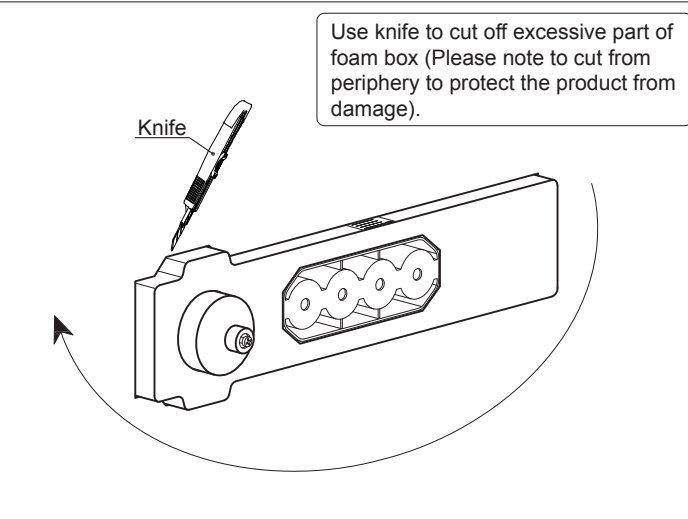
12



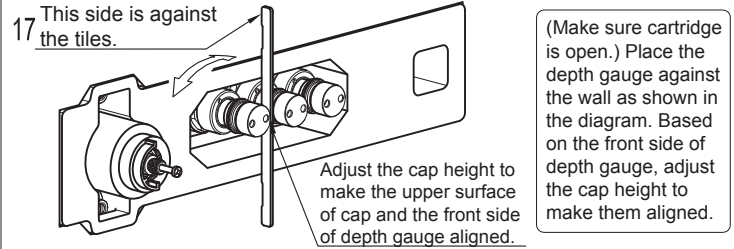
16



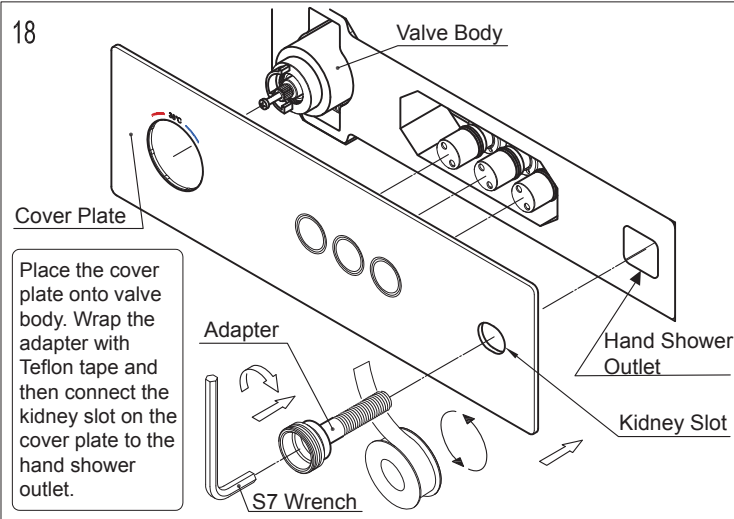
13



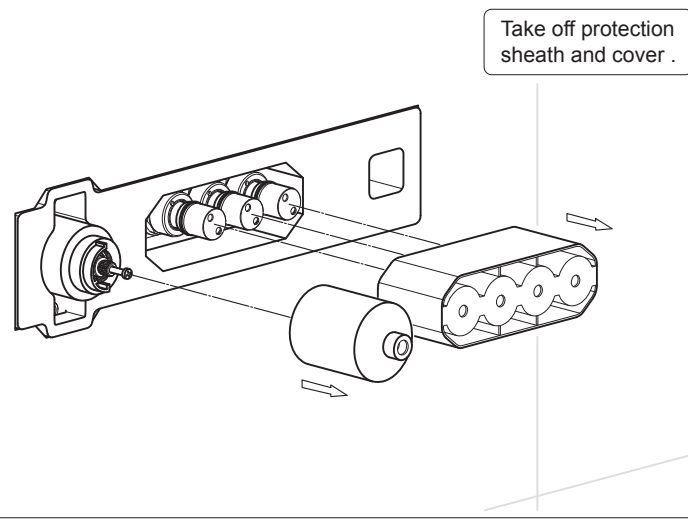
17



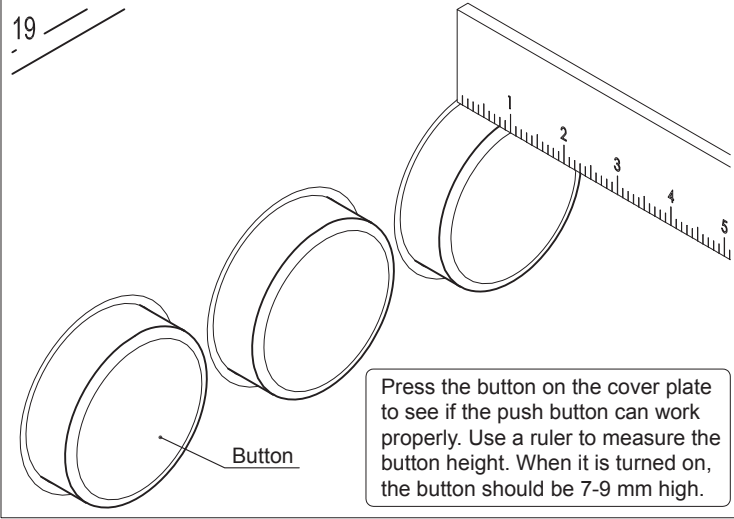
18



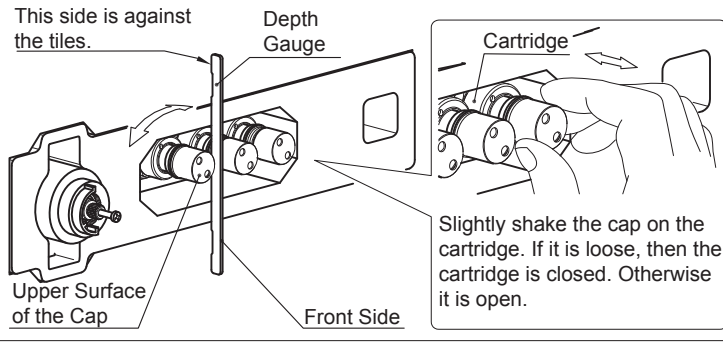
14



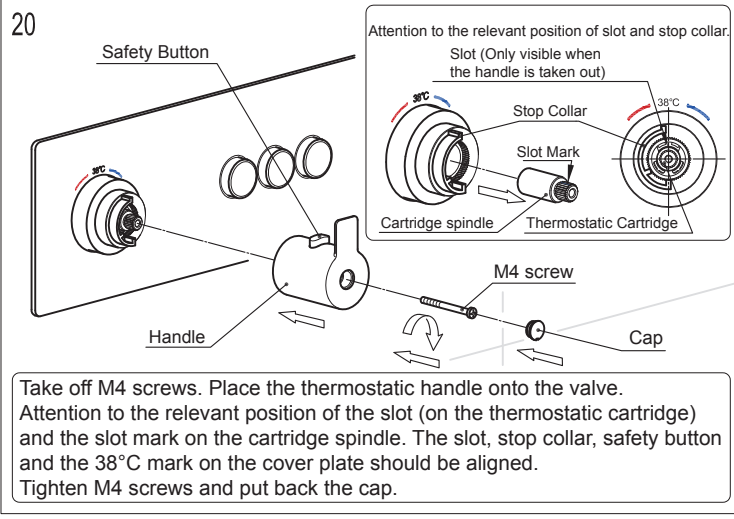
19

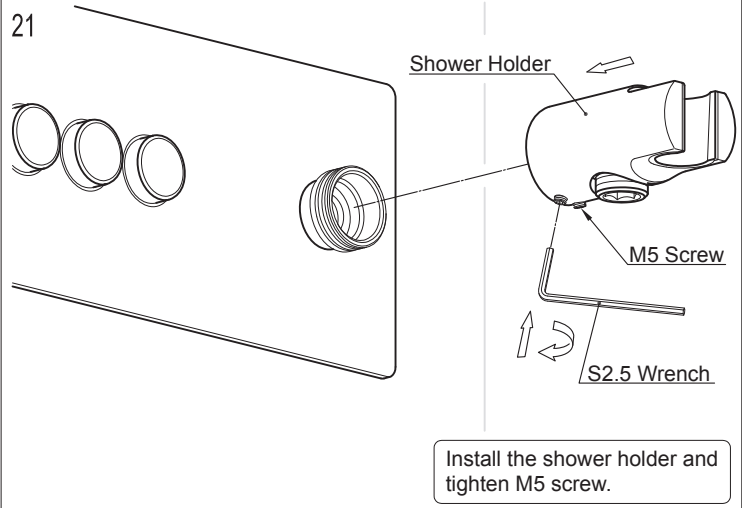


15. Make sure the cartridge is open. Place depth gauge against the wall as shown in the diagram. If the upper surface of the cap is lower than or the same as the front side of the depth gauge, adjust the cap height to make them aligned with the front side of depth gauge. Next, do as shown in Diagram 18. If the upper surface of the cap is higher than the front side of the depth gauge, do as shown in Diagram 16.

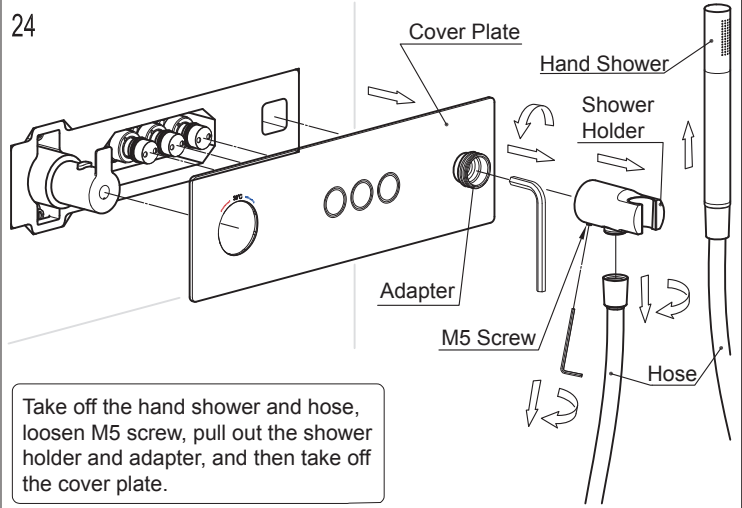


20

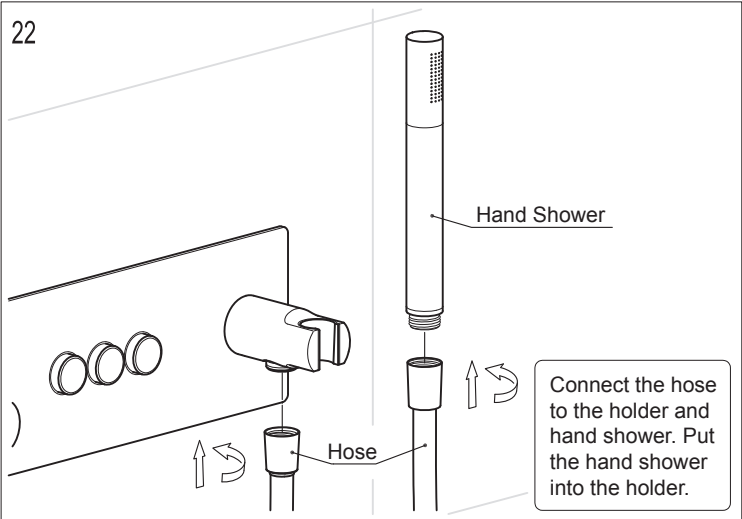




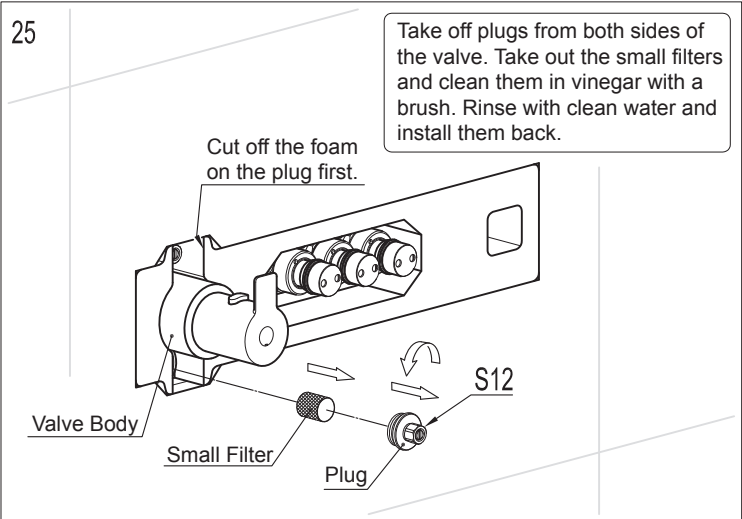
Install the shower holder and tighten M5 screw.



Take off the hand shower and hose, loosen M5 screw, pull out the shower holder and adapter, and then take off the cover plate.

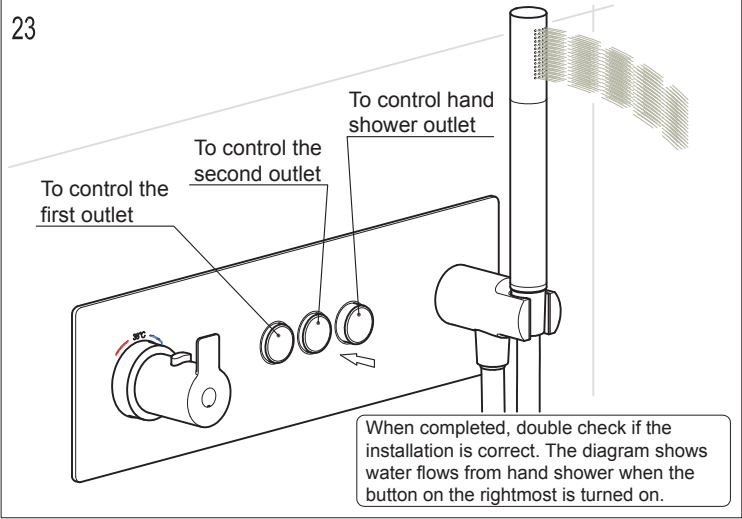


Connect the hose to the holder and hand shower. Put the hand shower into the holder.



Take off plugs from both sides of the valve. Take out the small filters and clean them in vinegar with a brush. Rinse with clean water and install them back.

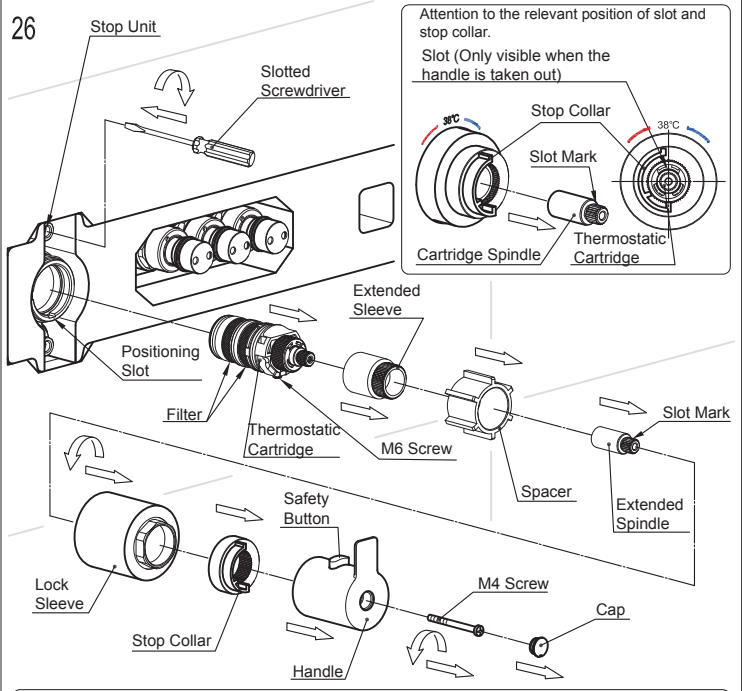
Cut off the foam on the plug first.



When completed, double check if the installation is correct. The diagram shows water flows from hand shower when the button on the rightmost is turned on.

### V. Maintenance (Fig.24-26)

If the flow rate is lessened or temperature control is imprecise after a period of usage, it is possibly because water of poor quality blocks the small filters on both sides of the valve body or the filter on the thermostatic cartridge. Cleaning method should be taken as follows:  
First, turn off the main valve. Take out the small filters as shown in Diagram 24-25. Then use a brush to clean the small filters with vinegar and clean water. Assemble them back after cleaning. Double check the flow volume and temperature control.  
If they still do not function properly, clean the filter of thermostatic cartridge as shown in Diagram 26. Take out the thermostatic cartridge and clean the filter as before. Then assemble them back accordingly.



Attention to the relevant position of slot and stop collar.  
Slot (Only visible when the handle is taken out)

Tighten the stop unit with Phillips screwdriver to shut off hot and cold water. Pick up the cap with a sharp tool. Remove the following in order: M4 screw, handle, stop collar, lock sleeve, extended spindle, spacer, extended sleeve. Finally take out the thermostatic cartridge and clean the filter. Then assemble thermostatic cartridge, extended spindle, extended sleeve, spacer and lock sleeve back accordingly. (Please note that the M6 screw on the thermostatic cartridge should be vertically downward and into the positioning slot of the thermostatic cartridge body.) Then switch the stopunit to initial position (to turn the cold and hot water on), assemble the plate cover, stop collar, thermostatic handle, M4 screw and cap back accordingly. (Please note to keep the four parts on one line: the slot on the thermostatic cartridge, stop collar, safety button and the 38°C mark on the cover plate.)