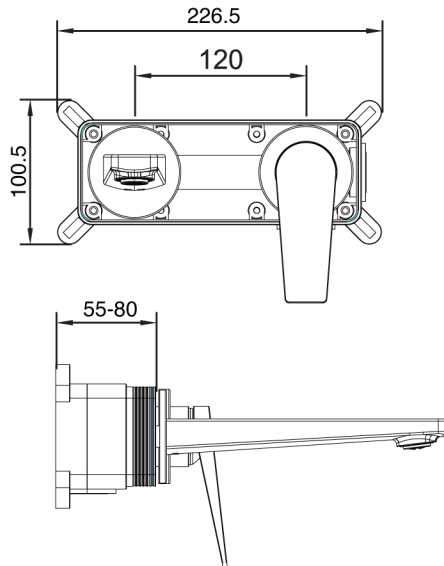


Single lever concealed basin mixer

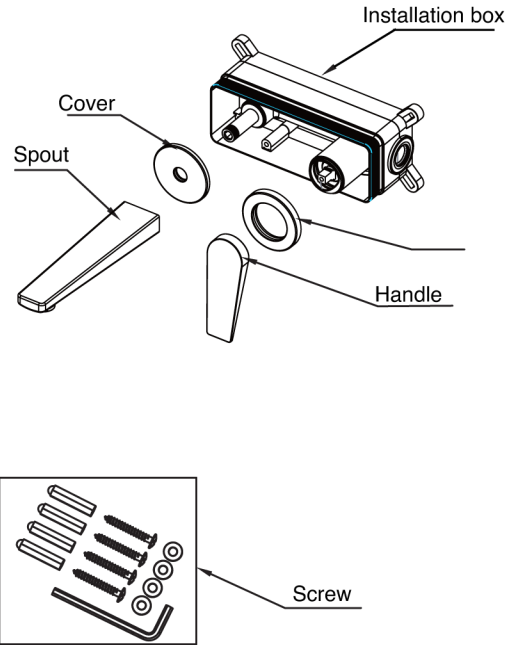
Installation Notice:

Read all the instructions before the installation
 Read all warning, Notice and maintenance information
 All information is based on the newly released product
 We save the right to change the characteristics,
 packaging or type of products

Product drawing



Installation Diagram:



Parameter

Work water pressure: recommended 0.1-0.5MPa
 Max. water pressure: max.0.8MPa
 Max. water temperature: max.85° C
 Suggested hot water temperature: 60° C
 Environment temperature: 5° C~45° C

Notice:

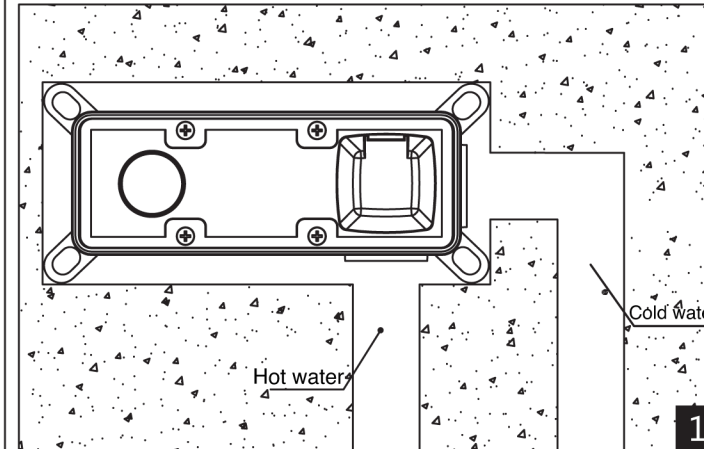
Read all the instructions before the installation

- 1、Distance of concealed body part inside the wall is decided by the components of valve.
- 2、Clean pipes to get rid of mud, sand or other debris blocked in pipes before installation.
- 3、Comply with all local plumbing and building codes.
- 4、Stop the main water supply before installation.
- 5、Do not take off the plastic protective cover before finish the wall decoration.
- 6、Check whether the pipes have leaking problem before burying the pipeline, to repair if necessary.
- 7、The thread of inlet is G1/2.
- 8、Make sure to do the water pressure test and bow out the air inside faucet and pipeline.
 Keep water pressure test no more than 30 minutes under 0.8Mpa.

Operation Notice:

Turn the handle left to be hot water and turn the handle right to be cold water.

Installation instructions



Refer to picture 1.

Fix a suitable position to open a hole.
 Install the concealed box into the wall to make sure the remark "up to mix" upwards and remark "Hot" on the left. Connect cold/hot water supply pipeline and outlet pipeline.

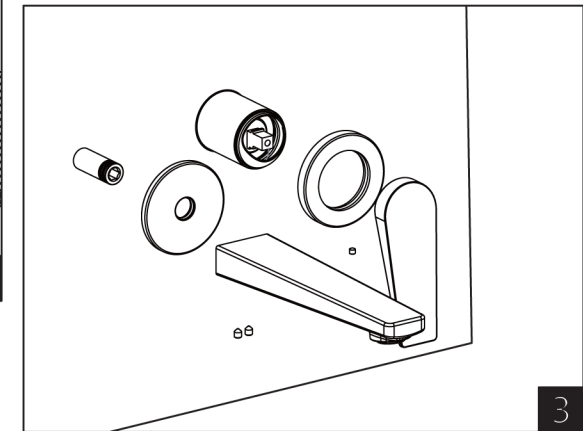
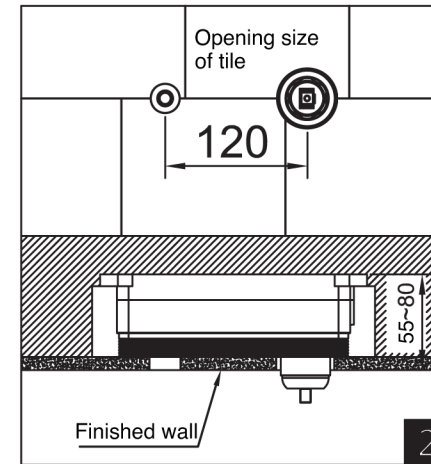
Notice: Ensure that the centerline of the valve body is perpendicular to the wall, to make sure the valve body is at the lever position. Keep the protective cover on the valve body during installation.

Refer to picture 2.

Keep the distance from the bottom of pipe to the finished wall is between 55-80mm. To check whether have leaking problem before covering the pipe.

Refer to picture 3.

After finishing the wall, assemble the plating cover, handle and spout in turn.



Function:

Check whether the connection has leaking and make sure all parts work well
 Do not use frosted sponge, detergents, organic solvent, acid cleaner, scale remover, vinegar or detergent containing vinegar to clean the product.